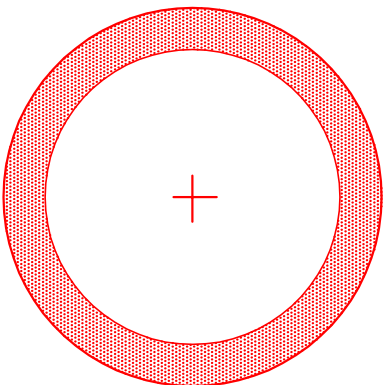
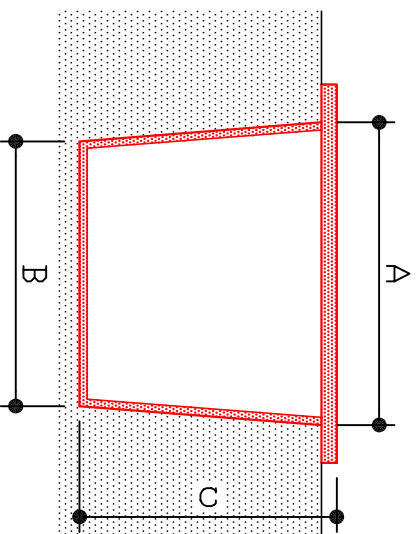


バケツキヤツプ

平面



側面



径	新品番	旧品番	A	B	C
φ4	BC4A	BC2-1	4.4	2.9	10.2
	BC5A	BC4-1	5.2	3.5	9.5
	BC6A	BC5-1	6.3	4.7	9.5
	BC6B	BC5-2	6.7	5.3	9.6
	BC7A	BC6-1	7.4	6.0	9.6
	BC8A	BC6-2	8.3	6.7	9.5
	BC9A	BC7-1	9.3	7.5	9.7
	BC10A	BC8-2	10.0	8.2	9.5
	BC10B	BC9-1	10.8	9.0	9.6
	BC11A	BC9-2	11.6	9.7	9.5
φ10	BC12A	BC10-1	12.4	10.7	9.6
	BC13A	BC11-1	13.0	11.3	9.5
	BC14A	BC12-2	14.0	12.0	12.6
	BC14B	BC12-3	14.6	12.5	11.1
	BC15A	BC13-1	15.8	13.4	12.7
	BC16A	BC13-2	16.0	13.9	13.0
	BC17A	BC14-1	17.1	14.9	13.4
	BC17B	BC15-1	17.6	15.3	12.5
	BC18A	BC16-1	18.4	15.9	12.5
	BC19A	BC17-1	19.1	17.0	12.7
φ20	BC19B	BC17-2	19.7	17.5	15.7
	BC21A	BC18-1	21.0	18.5	12.7
	BC21B	BC19-1	21.5	19.1	15.7
	BC23A	BC20-1	23.2	20.3	18.9
	BC23B	BC20-2	23.7	20.6	15.7
	BC24A	BC21-1	24.6	22.0	18.9
	BC24B	BC22-1	24.7	22.0	15.9
	BC26A	BC22-2	26.3	22.6	15.7
	BC26B	BC24-2	26.7	24.9	12.7
	BC27A	BC24-1	27.7	24.2	18.9
φ30	BC28A	BC25-1	28.8	25.2	19.0
	BC30A	BC28-1	30.9	27.8	18.8
	BC32A	BC29-1	32.4	29.6	18.8
	BC34A	BC31-1	34.3	30.9	18.9
	BC34B	BC32-1	34.3	32.7	9.5
	BC34C	BC31-2	34.5	31.3	19.0
	BC37A	BC33-1	37.2	33.3	19.1

径	新品番	旧品番	A	B	C
φ40	BC38A	BC34-1	38.4	34.1	25.2
	BC40A	BC36-1	40.4	36.8	18.8
	BC40B	BC38-1	40.6	38.5	19.0
	BC42A	BC39-1	42.7	39.6	18.8
	BC44A	BC41-1	44.6	41.3	18.8
	BC46A	BC45-1	46.1	45.4	10.2
	BC47A	BC44-1	47.5	44.2	18.8
	BC49A	BC45-2	49.1	45.8	25.2
	BC51A	BC46-1	51.0	46.1	24.9
	BC52A	BC48-1	52.7	48.3	25.2
φ50	BC53A	BC48-2	53.7	50.3	25.2
	BC54A	BC51-1	54.3	50.7	18.8
	BC55A	BC52-1	55.4	52.5	25.2
	BC57A	BC56-1	57.4	56.2	12.4
	BC59A	BC54-2	59.5	54.9	25.4
	BC60A	BC54-1	60.4	54.2	25.2
	BC62A	BC58-1	62.4	58.4	25.2
	BC66A	BC60-1	66.0	60.9	25.4
	BC66B	BC61-1	66.8	63.1	18.9
	BC67A	BC58-2	67.4	58.5	25.3
φ70	BC68A	BC65-1	68.0	65.2	25.3
	BC69A	BC62-1	69.8	62.8	25.4
	BC71A	BC67-1	71.0	67.2	18.9
	BC75A	BC72-1	75.7	72.6	19.0
	BC76A	BC69-1	76.2	70.0	25.4
	BC79A	BC76-1	79.8	76.2	18.8
	BC82A	BC75-1	82.5	76.3	25.3
	BC85A	BC78-1	85.7	78.7	25.2
	BC87A	BC84-1	87.9	84.6	19.1
	BC91A	BC82-1	91.4	83.5	25.3
φ90	BC91B	BC81-1	91.9	88.0	18.9
	BC96A	BC93-1	96.5	93.4	19.0
	BC100A	BC96-1	100.0	96.6	18.9
	BC103A	BC99-1	103.4	99.7	18.7
	BC105A	BC102-1	105.5	102.6	19.0
	BC113A	BC107-1	113.3	107.7	25.4
	BC117A	BC108-1	117.4	108.7	25.4

品名	バケツキヤツプ		
品番	BC00		
材質	PE	色	赤



タケネ

株式会社タケネ
 静岡県浜松市東区積志町255番地
 TEL(053)433-5211 FAX(053)433-5212
 E-mail main@takene.co.jp